

XTREM HUNTER

Reaching new standards in the world of deep seeking metal detectors.



XP has now enhanced the capabilities of the highly versatile **DEUS II**, the **XTREM HUNTER** is its ultimate accessory to expand your detecting possibilities and has now set new standards in the world of "2 Box" deep seeking detectors.

The **XTREM HUNTER** not only surpasses the competition with its advanced simultaneous multiple frequency platform (FMF®), but it also delivers unmatched performance and stability through its unique ability to limit ground effects.

Whether you're a construction professional, archaeologist, industrial worker, or a passionate individual seeking a reliable and robust tool to locate deep and large targets, the XTREM HUNTER will be your ultimate companion for uncovering targets such as, large relics and various underground objects including tanks and metal pipes.

Performance:

- Fast Multi Frequency (FMF®) technology, ensuring unparalleled performance with minimal ground noise.
- Reach extreme depths of up to 5 meters (16 feet), uncovering the deepest targets

Discrimination capability:

- Thanks to the advanced FMF multiple frequency platform, iron discrimination has reached new levels in the world of twin box machines. In addition to its natural insensitivity to small targets like nails, the XTREM HUNTER now offers the ability to discriminate some moderate-sized ferrous objects.

Wireless Convenience:

- Enjoy seamless compatibility with the DEUS II wireless ecosystem, including the remote control, headphones and standard coil.
- Easily switch to the DEUS II standard wireless coils in seconds to precisely pinpoint your target.
- Pair the XTREM HUNTER as a new coil, and instantly the remote control presents you with unique menus and real-time visual platform.

Ergonomic - Effortless Portability:

- Designed for single-person use, it ensures effortless detecting.
- Weighing just 2.9 kg (6.4 lb), it guarantees prolonged endurance.
- Store it in the included XP case or consider the optional unique XP backpack 280 for added convenience.
- Adjust the handle and support to achieve personalized comfort.

Weather-Ready:

- Its waterproof construction can withstand rain and challenging conditions.

Built to Last:

- Backed by a full 5-year warranty (part and labor), the XTREM HUNTER will provide you with reliable performance for years to come.

eXPlore like never before!

Please refer to the online manual for the latest improvements. Certain functions may have changed since this manual was printed.

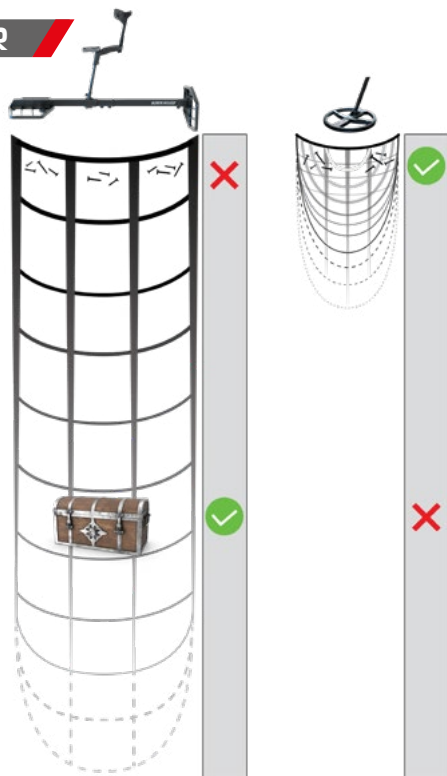
COMPARISON

Conventional detectors VS XTREM HUNTER

Conventional detectors are capable of detecting small targets as well as large metal masses at significant depths. However, they are affected by small targets near the surface or by ground effects. For example, a nearby nail can mask the signal coming from a deep large mass.

Moreover, even on relatively clean ground, it is difficult to distinguish between a small surface target and a larger target at depth, as both generate a similar signal level. It becomes challenging to focus on deep buried masses without spending time searching through numerous small surface targets.

The **XTREM HUNTER**, with its coil geometry and distribution of the electromagnetic field, is highly insensitive to small surface targets, which are naturally invisible to it. It has the capability to penetrate the top layers of the ground to easily detect through them. Additionally, its improved ground effect suppression reduces false signals caused by movement and oscillations during walking, resulting in a significant performance enhancement compared to previous generations of detectors of this type.



LIST OF PARTS

Box contents

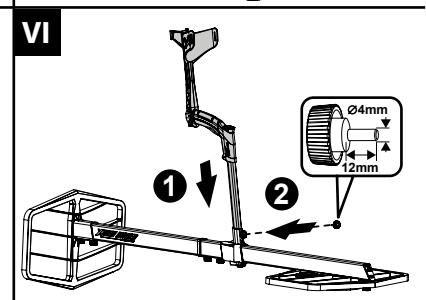
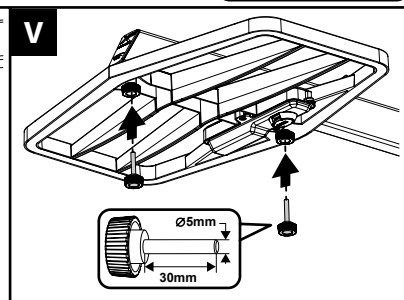
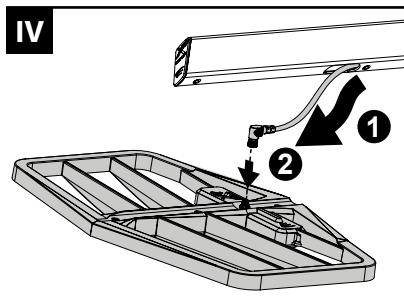
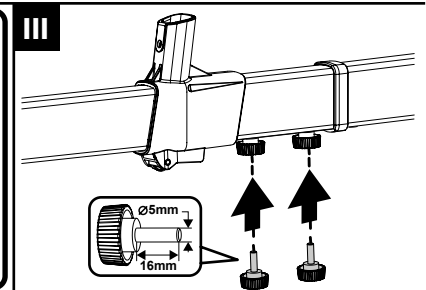
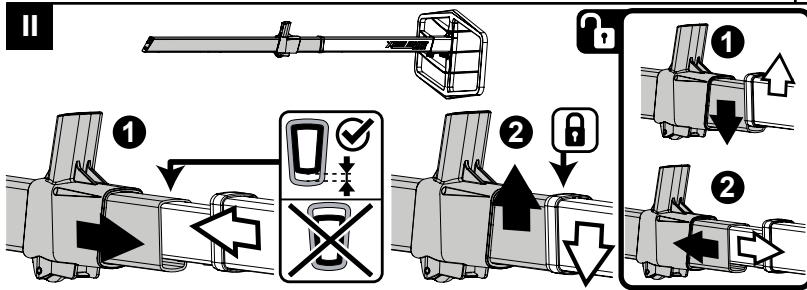
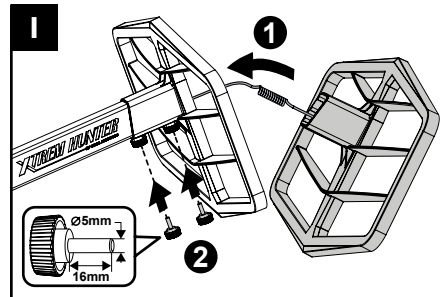


- 1 1 S-TELESCOPIC Stem.
- 2 1 Remote Controller (depending on version).
- 3 1 set of wireless headphones (depending on version).
- 4 1 USB-C charging cable.
- 5 2 knurled screws - \varnothing 5mm - lenght 30mm.

- 6 4 knurled screws - \varnothing 5mm - lenght 16mm.
- 7 1 knurled screw - \varnothing 4mm - lenght 12mm.
- 8 1 Weather proof XP case.
- 9 1 carrying strap.
- 10 2 parts of the XTREM HUNTER stem structure.
- 11 1 front coil with wireless TX and battery.
- 12 1 back coil with cable.

Step by step installation

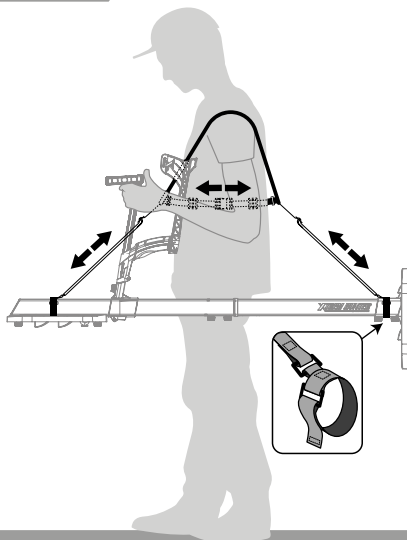
- I - Back coil installation.
- II - Main structure locking (and unlocking).
- III - Main structure screwing.
- IV - Back coil to front coil connection.
- V - Front coil screwing.
- VI - Telescopic stem installation.



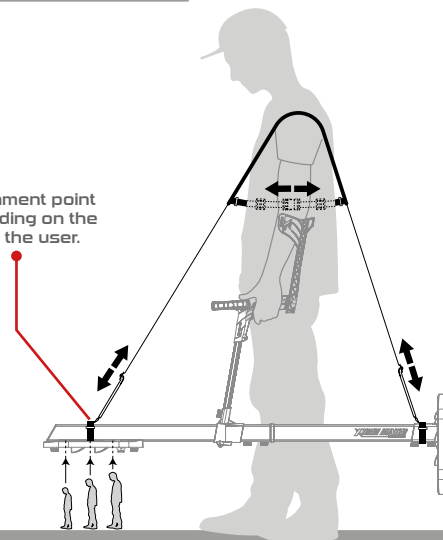
Mounting of the strap

High position

Low position




Attachment point depending on the size of the user.





10 Key points to start

1. Ensure that your DEUS II remote control is up to date with Version 2.0 or higher. You can find the version on the screen when starting it.
2. Pair your XTREM HUNTER with your DEUS II remote control as a new coil (Option > Pairing > Coil > enter its serial number). The remote will then present you with a new dedicated interface.
3. Adjust the handle to keep your XTREM HUNTER at a sufficient distance from the ground to avoid excessive sensitivity to surface targets.
4. Maintain a safe distance from industrial areas, residential houses, or power lines.
5. **Make sure you are not carrying / wearing anything metallic, such as shoes, smartphones, belt buckles or keys.** Most hiking gear has a wire metallic frame that interferes with the XTREM HUNTER. Only use sports shoes or rubber boots (check with your pinpointer that they are not reinforced with wire mesh).
6. Perform a noise cancel to find the quietest frequency band. Long press the top right key. It will automatically scan between the 14 channels. If you encounter difficult conditions or noise:
 - Reduce the Sensitivity setting to 60-70 (MENU > SENS).
 - Reduce the Audio Response setting to 1 (MENU > AUDIO RESP).
 - Keep the coil elevated from the ground by adjusting the handle to a lower level. Or hold the bar with your hand to keep it at a higher distance from the soil.
7. Press  to retune your XTREM HUNTER, and then start walking. **Regularly re-tune** it to readjust the audio threshold according to your conditions.
8. Look at your screen to have an idea of the target's size and depth. The horizontal scale is calibrated every second of recording, the screen displays the last 4 seconds of detection. Targets located closer to the surface will produce a double signal, while deeper ones will generate a single signal.
9. To confirm a target, first, adjust the Auto Tune to OFF and retune the XTREM HUNTER. Then, slowly move the detector around the target to pinpoint its exact location. You can also increase the reactivity setting to speed up the target locating process.

Alternatively, you have the option to switch to your standard DEUS II coils to confirm targets at moderate distances. To do this, navigate to OPTION > PAIRING > COIL and select the desired coil from your coil list. The Relic program will be a good program choice for this purpose.

10. Always use headphones with the XTREM HUNTER, as it has a wide audio dynamic range. It is often difficult to hear the faintest signals using the built-in speaker.

How to test your XTREM HUNTER

- If you don't have buried target samples, test the XTREM HUNTER's response by placing large target samples of different sizes (25cm/10" to >1m/3') on the ground. Then, raise your detector to 1.5 meters/5' with your arm and pass over the targets.
- Do not pass any target above the XTREM HUNTER as it only accurately detects objects on its bottom side (ground side). If you move a target on the top for your test, it will not detect it and the threshold will move in the wrong direction!
- Do not place your Xtrem Hunter on its side at a 90° angle during tests, as it may become more susceptible to electromagnetic interference. It operates optimally when in a horizontal position.

When you pair the **X-TREM HUNTER** with your DEUS II, it automatically switches to a dedicated interface with settings optimized for the detection of large, deep targets.

Signal Duration.
It can help you estimate the target's size.

Play / Pause indicator.
The main interface continuously displays the signal of the last 4 seconds. You can freeze it by pressing the Play / Pause key.

Access to OPTION

Signal strength.
It can help you estimate the target's depth.

Access to MENU
Long press : Marks your location on the Go Terrain smartphone app.

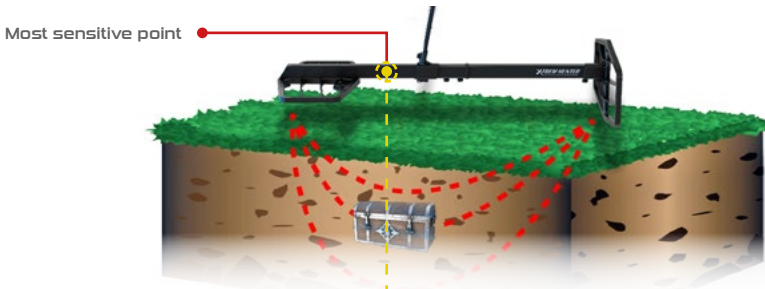
Access to G.B
Long press : shortcut
FREQ SCAN
(Noise cancel)

Change Program

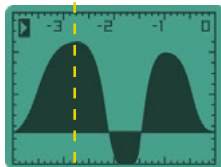
Play / Pause

Retune the Threshold
Long press:
Ground Balance

Signal example (Ø 30 cm / 12 inches Target)

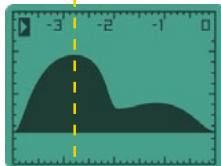


30 cm / 12 " deep



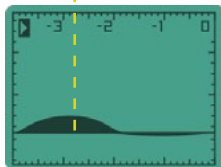
A shallow target usually has a double lobe signal interspersed with a negative one.

60 cm / 24 " deep



More deeply buried, the same target will have a strong first lobe but the second one will be less marked.

120 cm / 48 " deep



At more than 1 meter / 3 feet, the target will have a clear signal but quite faint.

Sensitivity



Determines the device's sensitivity level from 0 to 99.

The most commonly used sensitivity levels range from 70 to 90. Reduce the level in trashy areas or close to power lines, fences, radio-relay stations, etc.

Do not test your device indoors as there is considerable electromagnetic and metal interference in urban environments (EMI).

IAR Discrimination



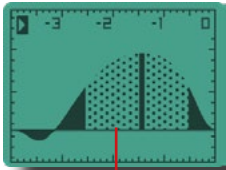
The IAR discrimination method (Iron Amplitude Rejection) allows rejection of ferrous items according to their distance from the coils.

OFF = no rejection 3 = Shallow Ferrous rejection 5 = Shallow and deeper Ferrous rejection.

The XTREM HUNTER naturally ignores small ferrous objects such as nails, bottle caps, etc. For moderately sized ferrous objects like anchors, hammers, horseshoes, you can discriminate them using the DISCRI IAR setting, which will result in a low-pitched tone.

The background Iron Rejection processing operates in motion mode, which means you need to be in motion to receive the low-toned response from ferrous targets. If you stop on a target, the Iron Rejection will not be effective, and the audio will produce a mid-tone response, indicating a non-ferrous target.

The graphical target display will show ferrous (of moderate size) in shades of gray.



Ferrous signal example with DiscrIAR: ON

Be cautious if the ground is filled with ferrous objects Iron Rejection may mask larger and deeper targets. In such highly contaminated areas, it is recommended to raise the XTREM HUNTER from the ground using the handle's height adjustment feature or by directly holding the aluminum frame to further distance it from the ground. This will maintain excellent performance and significantly improves stability.

Threshold



This feature is used to set the amplitude of the background sound threshold (HUM). The Threshold can be increased to mask low sound variations and can act as a form of sensitivity by drowning out the noise in the threshold hum.

However, it's important to note that faint signals and deep targets may also be masked by the threshold, so it should be used in moderation.

Reactivity



The Reactivity is a key parameter for adjusting the depth capability of the machine.

At a low level of Reactivity:

- It achieves optimal depth performance.
- It cancels out electromagnetic interference (EMI) and small targets.
- It slows down the machine's response speed and increases the length of the signal.
- It reduces noise caused by shaking effects and coil movement, especially when using a low ground effect adjustment (<85).

At a high level of Reactivity:

- It helps to pinpoint the target's position more precisely due to the faster response speed.
- It produces shorter audio signals.
- It enhances target differentiation in environments with a lot of trash and clutter.

- Do not change this setting frequently if you want to accurately gauge the target on the LCD graphic indicator.
- The lower you set the Reactivity, the slower your walking pace should be.

Auto Tune



The XTREM HUNTER operates by default in non-motion with manual threshold adjustment by briefly pressing .

The AUTOTUNE function allows for automatic threshold tracking to avoid manual adjustment. The Threshold adjustment speed can be set across 3 levels to accommodate different threshold drift rates.

Keep in mind that when Autotune is active, if you hold the detector steady on a target the signal will disappear after a few seconds depending your Autotune adjustment. Therefore, it is necessary to keep the detector in motion.

In the same manner, if you are searching for very large targets at significant depths, a fast Autotune setting may partially or totally adjust to the target and attenuate its signal, which can limit the perception of the target's position and shape. This can make it challenging also to track long metal pipes or conduits.

Remember that you can temporarily switch Autotune OFF to precisely locate a target in pure non-motion mode at any time.

Frequency Shift (EMI Noise cancel): Auto Scan/Manual shift



Always start your session by performing an automatic noise cancel  to find the most stable channel in terms of electromagnetic interference (EMI).

Shortcut : from the main screen, long press the top right button.

The XTREM HUNTER is a highly sensitive device, so it is recommended to use it far away from power lines or electrical environments. If you encounter excessive EMI noise:

- Reduce the Sensitivity.
- Reduce the Reactivity.
- Reduce the Audio Response.

Audio Response



By increasing the Audio Response, you will affect the sound curve and amplify deep targets, but it will make also the machine more jittery. **It is an important setting of your XTREM HUNTER to control the response to the ground, so adjust it according to your local conditions and experience.**

Lowering the Audio Response to 1 reduces ground noise and provides a more stable threshold.

Ground



Until now, detectors of this type have encountered problems with false signals caused by inevitable height variations during walking. This always required significantly lowering the Sensitivity to overcome these issues. Thanks to the FMF® technology, this phenomenon is reduced, resulting in a significant increase in performance in various soil conditions.

Adjusting the ground effects settings is therefore less necessary, and the factory default 87 level will work better in most cases.



In certain special magnetic ground conditions, you may experiment with a lower ground balance adjustment manually or by grabbing.

If you encounter very difficult ground or high trash condition, always remember:

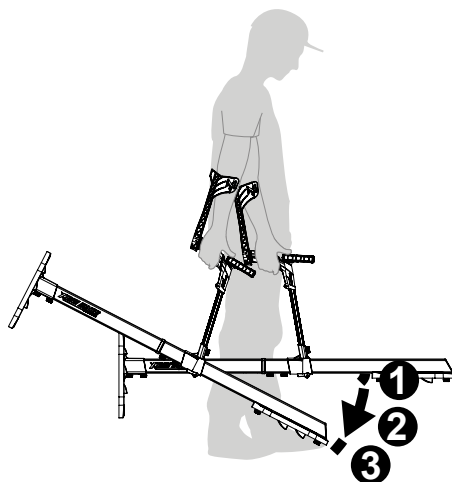
1. To elevate the XTREM HUNTER from the ground using its adjustable handle or by directly holding the aluminum frame to further distance it from the ground. This will maintain excellent performance and significantly improves stability.
2. Reduce Sensitivity to 60-75 and Audio Response to 1.

Ground Grabbing

When using the XTREM HUNTER, follow these steps:

1. Press and hold  for 2 seconds.
2. Without releasing the  key, Tilt the front of the coil towards the ground to listen for the ground hum.
3. Release the key, you can see the acquired ground value if ground is mineralized enough.

After a few attempts, if the ground is not quieter, manually return to the default ground value of 87.



For maximum depth...

On clean and non-mineralized ground:

- Perform a Frequency Scan.
- Reduce the Reactivity setting.
- If you are searching for deep non-ferrous targets, adjust the Ground Balance to 70 and set the Reactivity to 1 to minimize coil movements.
- Increase the Sensitivity.
- Increase the Audio Response or use headphones for better target detection.

Features/Settings

Sensitivity	99 levels
Discrimination	IAR on 5 levels
Threshold	20 levels
Reactivity	3 levels
Auto Tune	3 levels
Frequency Shift	14 bands Manu/Auto
Audio Response	3 levels
Ground balance	Grab or Manual
Equalizer	4 Bands configurable
Programs	1 factory program + 2 users
Display	Recording 4 seconds with a Play/Pause option

		Prg 1	Prg 2	Prg 3
Sensitivity	0 to 99	85		
Discr IAR	OFF to 5	OFF		
Threshold	0 to 20	0		
Reactivity	1 to 3	1		
Auto Tune	OFF to 3	OFF		
Freq. Shift	1 to 14	-		
Audio Resp.	1 to 3	2		
Ground	59 to 95	87		

General Features

Technology	Simultaneous Fast Multiple Frequency (FMF®)
Detecting Type	Non-Motion with adjustable Autotune
Wireless Headphones optional	WS6 (rainproof) - WSAII (rainproof) - WSAII XL (IP 68-1m)
Case	included - rain and shock proof
Battery type	Li-ion 18650 x1 - 11 Watts/hour - 45g
Battery life	> 10 hours
Charging time	~ 4 hours
Operating T°	0 to + 40°C
Max ambient T° during charging	0 to + 40°C
Charging Cable	USB type C
Length assembled	1.20 m (3.94 ft)
Weight (Xtrem Hunter + remote)	2.9 kg (6.4 lb)
Weight (Xtrem Hunter in its XP case)	5.8 kg (12,8 lb)
Weight (XP Case)	2.7 kg (6 lb)
XP case size	725 x 480 x 170 mm (28' x 18,9' x 6,7')
XP Backpack 280	Optional
Warranty	Five years parts and labour. Batteries and connectors, two-year warranty
Patents	US 7940049 B2 - EP 1990658 B1 and patents pending

GB

CAOHBC



3 665994 007847